

Data sheet Quadax® - lug type butterfly valve



body details

butterfly valve:	bare shaft
pressure range:	PN 0-63 bar
orifice:	DN 50-1000 mm
connection:	flange
body materials:	carbon steel, stainless steel, special material (duplex, inconell, bronze)
valve seat materials:	inconell, others on request
seal materials:	graphite / stainless steel, inconell, stainless steel, PTFE



Above stated body materials refer to the valve port connections that get in contact with the media only!

details needed

size
pipe connection
operating pressure
flow rate
Δp
closing time
media
process temperature
outside temperature



The valves' technical design is based on media and application requirements. This can lead to deviations from the general specifications shown on the data sheet with regards to the design, sealing materials and characteristics.

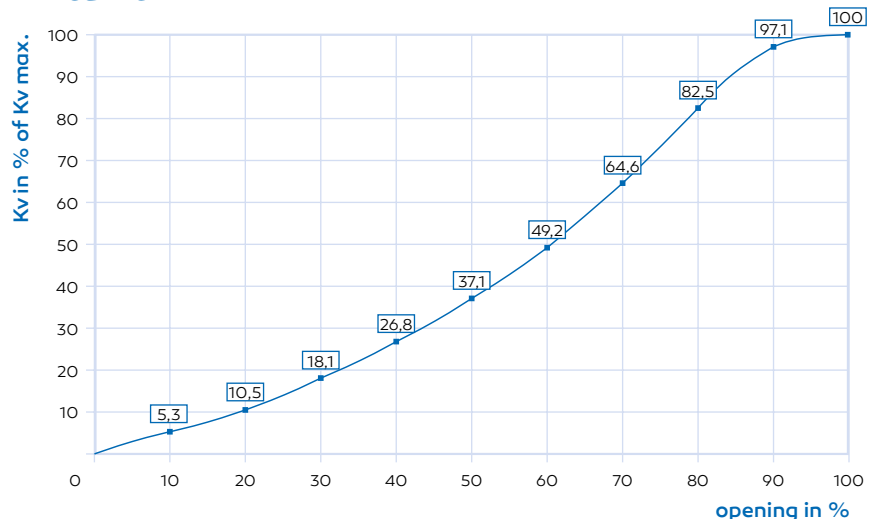


If order or application specifications are incomplete or imprecise there exists a risk of an incorrect technical design of the valve for the required application. As a consequence, the physical and / or chemical properties of the materials or seals used, may not be suitable for the intended application.

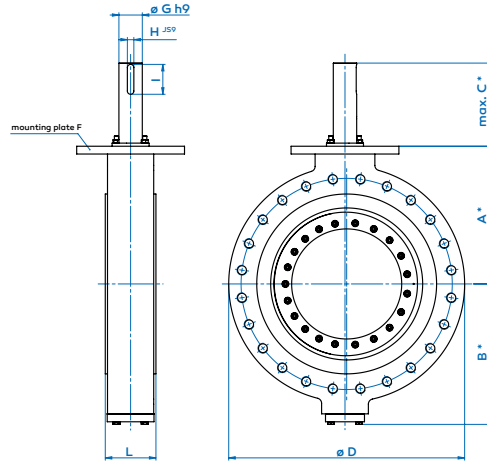
general specifications

ports	flange	PN 10 / 16 / 25 / 40 / 63 ANSI 150 / 300 / 600
function	NC / NO / DA	depending upon actuator
pressure range	body pressure Δp standard shaft	0 to 63 bar 52 bar in both directions
Kv value	m ³ /h	see table 1 DIN 3230 A DIN EN 12266 BS 6364 Fire safe
leakage rate		Fire safe
flow direction	A \rightarrow B	as marked
switching time	s	DN/100
process- and outside temperature	standard with special materials	-10 °C to +450 °C -270 °C to +800 °C
limit switches		option
approvals		PED / Fire safe / BAM / TA Luft / ATEX in further
weight	kg	see table
additional equipment		upon request

Kv-curve



Data sheet Quadax® - lug type butterfly valve



* dimensions for trim X only

Dimensions

size	(mm)	50	65	80	100	125	150	200	250	300	350	400	450	500	600	700	750	800	900	1000	
	(inch)	2	2½	3	4	5	6	8	10	12	14	16	18	20	24	28	30	32	36	40	
pipe cl to mounting plate	A	105	128	128	162	190	203	240	279	305	325	385	405	440	530	630	630	700	830	920	
pipe cl to cover screws	B	106	129	129	158	186	204	241	281	307	333	383	403	441	541	643	643	713	836	926	
bare shaft length for direct mounting	C	95	95	95	125	135	145	180	180	180	280	289	300	320	320	367	367	367	398	398	
bare shaft length for adapter	C	51	51	51	68	68	68	85	85	85	173	170	170	170	170	210	-	-	-	-	
flange diameter	PN 10	D	165	200	200	230	250	295	352	405	455	515	565	615	670	780	895	970	1085	1115	1230
	PN 16	D	165	200	200	230	250	295	352	405	455	515	590	640	725	845	910	970	1085	1125	1255
	PN 25	D	165	200	200	230	270	295	352	425	485	550	620	680	725	845	960	1020	1085	1185	1320
	PN 40	D	165	200	200	230	270	295	375	450	515	585	660	680	770	908	-	-	-	-	-
	PN 63	D	180	215	215	250	295	345	415	470	530	600	670	-	-	-	-	-	-	-	-
	ANSI 150	D	165	190	190	230	-	280	352	405	485	550	590	640	700	815	927	984	1085	1168	1290
	ANSI 300	D	165	210	210	254	-	320	380	445	515	585	660	710	770	908	1035	1092	1149	1270	1238
ANSI 600	D	165	210	210	275	-	355	420	508	560	605	685	745	815	940	1073	1130	1194	1315	1320	
mounting plate F ISO 5211	F	F07	F07	F07	F10	F12	F14	F16	F16	F16	F25	F30	F30	F35	F35	F40	F40	F40	F48	F48	
trim A	20 bar max.	G	-	-	-	-	-	-	-	40	45	50	55	55	70	90	90	100	110	120	
	290 psi max.	H	-	-	-	-	-	-	-	12	14	14	16	16	20	25	25	28	32	32	
		I	-	-	-	-	-	-	-	45	60	60	80	80	90	115	115	125	140	160	
trim X (standard)	52 bar max.	G	14	18	18	20	22	32	32	40	45	55	65	70	75	90	110	110	130	150	160
	754 psi max.	H	5	6	6	6	6	10	10	12	14	16	18	20	20	25	32	32	32	36	40
DIN 3202 K3	PN10/16/25/40/63	L	43	64	64	64	70	76	89	114	114	127	140	152	152	178	229	241	241	241	300
	ANSI 150	L	43	48	48	54	-	57	64	71	81	92	102	114	127	154	-	-	-	-	
API 609	ANSI 300	L	43	48	48	54	-	59	73	83	92	117	133	149	159	181	-	-	-	-	
	ANSI 600	L	43	54	54	64	-	78	102	117	140	155	178	200	216	232	-	-	-	-	
Kv-value (m³/h)	trim A	Δp max. 20 bar	-	-	-	-	-	-	-	3837	5478	7944	10735	12921	20651	25473	32661	36123	47565	56131	
	trim X	Δp max. 52 bar	38	118	118	258	418	654	1445	2451	3720	5120	7321	9986	12118	19253	23081	30015	33343	43215	51398
cv-value (gal/min)	trim A	Δp max. 290 psi	-	-	-	-	-	-	-	4462	6370	9237	12483	15024	24013	29620	37978	42003	55308	65269	
	trim X	Δp max. 754 psi	44	137	137	300	486	760	1680	2850	4314	5953	8513	11612	14091	22387	26838	31702	38771	50250	59765
weight (standard)	(ca. kg)	8	16	16	22	32	39	68	128	150	221	319	349	457	715	1017	1203	1336	1744	2467	